



1500V 集中式 光伏逆变器

Centralized Inverter for
1500V System

能源互联 光储未来

股票代码: 002335

产品系列

Product Series

04- 1500V 集装箱式逆变器 SPI2500K-B-H/SPI3000K-B-H

06- Containerized Central PV Inverter for 1500V System SPI2500K-B-H/SPI3000K-B-H

08- 1500V 集装箱式逆变器 SPI3125K-B-H/SPI3400K-B-H

10- Containerized Central PV Inverter for 1500V System SPI3125K-B-H/SPI3400K-B-H

12- 1500V 逆变升压一体机 SPI2500K-TH/SPI3000K-TH

14- Inverter & Transformer Turnkey Solution for 1500V System SPI2500K-TH/SPI3000K-TH

16- 1500V 逆变升压一体机 SPI3125K-TH/SPI3400K-TH

18- Inverter & Transformer Turnkey Solution for 1500V System SPI3125K-TH/SPI3400K-TH

20- 1500V 逆变升压一体机 SPI5000K-TH/SPI6250K-TH/SPI6800K-TH

22- Inverter & Transformer Turnkey Solution for 1500V System SPI5000K-TH/SPI6250K-TH/SPI6800K-TH

1500V 集装箱式逆变器

SPI2500K-B-H/SPI3000K-B-H



产品特点

高效发电

- 采用全新三电平的拓扑技术，最高转换效率大于 99%
- 45℃ 1.1 倍长期过载，50℃满载运行

精益智能

- 智能故障录波功能，快速故障分析
- 智能远程在线升级功能，便于系统的升级与维护管理

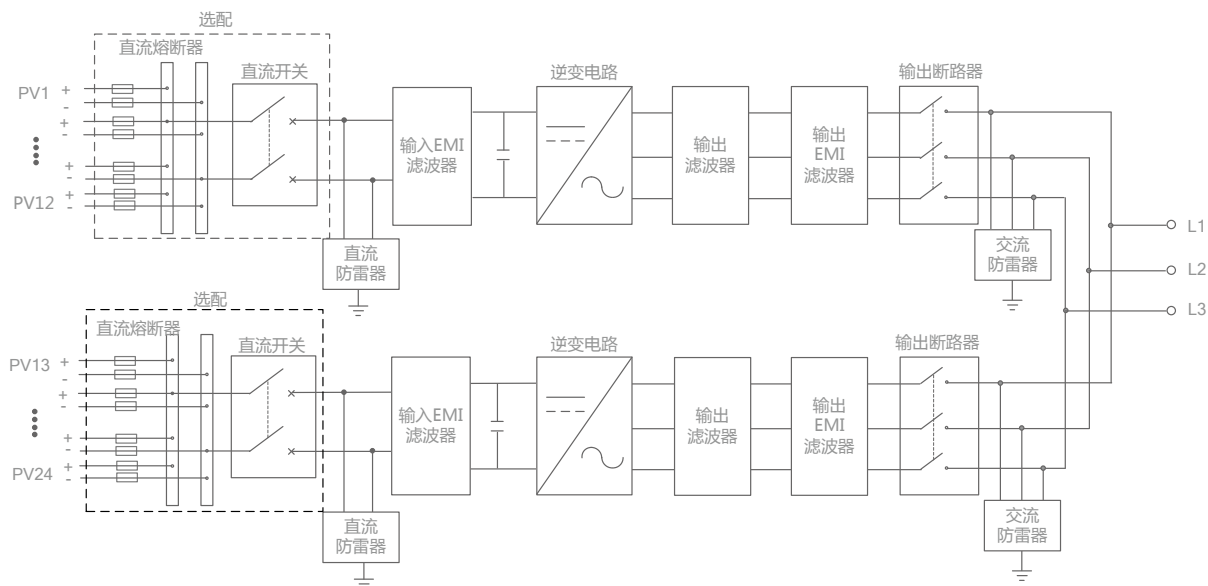
安全可靠

- 适应高海拔、高温、极寒等复杂环境
- 智能风机调速控制及故障检测，提高系统可靠性
- PID 修复功能，减少组件发电衰减

节约投资

- 直流 1500V，减少系统成本
- 支持交流侧并联，可接入双绕组变压器
- 模块化设计，节约运维成本

电路框图



技术指标

产品型号	SPI2500K-B-H	SPI3000K-B-H
直流侧输入		
最大光伏阵列开路电压	1500Vdc	
最大直流电流	2x1754A	2x1800A
输入路数	24~30 可选	
MPPT 数量	2	
MPPT 电压跟踪范围	800V~1300V	900V~1300V
启动电压	840Vdc	940Vdc
MPPT 效率	99.90%	
交流侧输出		
额定输出功率	2500kW	3000kW
最大输出功率	2750kW at 45°C / 2500kW at 50°C	3300kW at 45°C / 3000kW at 50°C
最大输出电流	2886A	3176A
额定电网电压	550V	600V
额定电网频率	50Hz/60Hz	
电网频率范围	±5%	
功率因数	>0.99 (满功率)	
功率因数可调节范围	0.8 (超前) ~0.8 (滞后)	
THDi	<3% (额定功率)	
逆变器效率		
最大效率	99.00%	
欧洲效率	98.70%	
其他功能		
零 / 低电压穿越功能	具备	
交流侧并网技术	具备	
故障录波诊断功能	具备	
在线升级功能	具备	
SVG 功能	选配	
PID 修复功能	选配	
基本参数		
尺寸 (宽 × 高 × 深)	2991 × 2591 × 2438mm	
重量	4500kg	
防护等级	IP54	
夜间损耗	<160W	
冷却方式	智能风冷	
最高工作海拔	5000m (>3000m 降额)	
工作环境温度	-35°C ~60°C	
工作环境湿度	0~95%, 无冷凝	
显示	LCD	
通讯	RS485, Ethernet (可选)	

*规格指标若有变动, 恕不另行通知。

Containerized Central PV Inverter for 1500V System

SPI2500K-B-H/SPI3000K-B-H



Product Features

High performance

- 3-level technology, max. conversion efficiency up to 99.00%
- 1.1 times long-term overload at 45°C , full load operation at 50°C

Safety and reliability

- Anti-PIDfunction to ensure power generation
- Intelligent fan speed control and fault detection for system reliability
- IP54 design, adapt to high temperature, salt, and extreme cold etc. environment

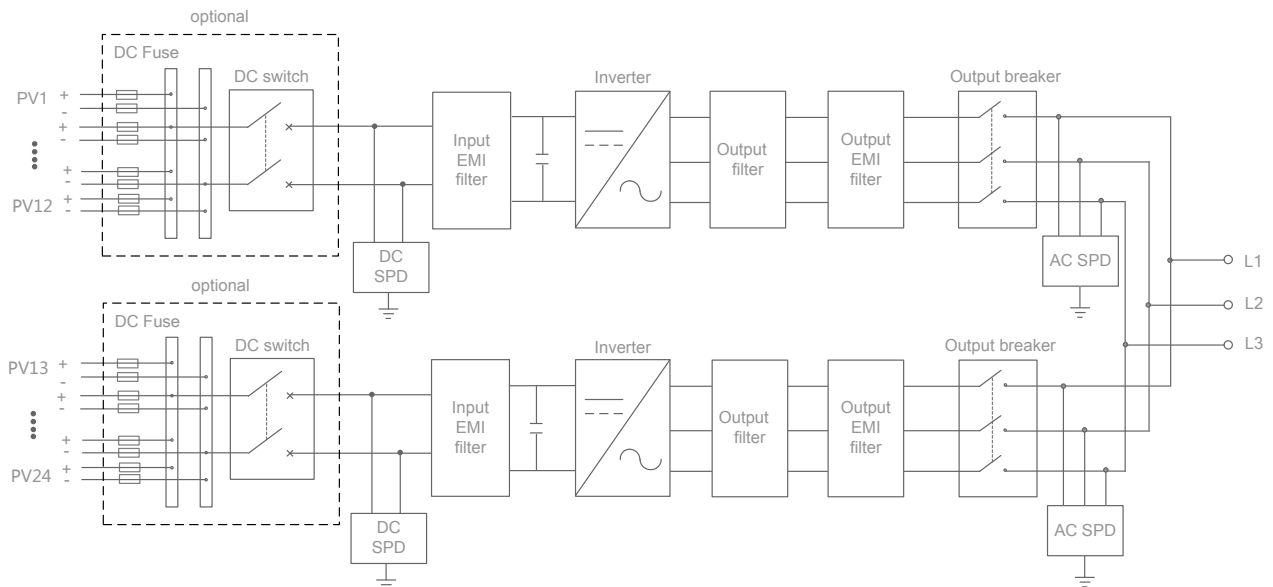
Advanced intelligence

- Intelligent fault recording function for fast analysis
- Intelligent online upgrade function for easy management

Saved investment

- DC 1500V system, low system cost
- Modular and compact product design
- AC side parallel technology for splitted two-winding Transformer

Function Diagram



Technical Specifications

Items	SPI2500K-B-H	SPI3000K-B-H
DC Input		
Max. PV input voltage	1500Vdc	
Max. PV input current	2x1754A	2x1800A
No. of PV input strings	24~30 optional	
No. of MPPTs	2	
MPPT voltage range	800V~1300V	900V~1300V
Starting voltage	840Vdc	940Vdc
MPPT efficiency	99.90%	
AC Output		
Rated AC output power	2500kW	3000kW
Max. output power	2750kW at 45°C/ 2500kW at 50°C	3300kW at 45°C/ 3000kW at 50°C
Max. output current	2886A	3176A
Rated output voltage	550V	600V
Output voltage range	±10%	
Rated grid frequency	50Hz/60Hz	
Grid frequency range	±5%	
Power factor	>0.99 (rated power)	
PF adjustable range	0.8 leading ~0.8 lagging	
THDi	<3% (at rated power)	
Inverter efficiency		
Max. efficiency	99.00%	
European efficiency	98.70%	
Others		
LVRT function	Yes	
AC side parallel technology	Yes	
Fault wave record diagnosis	Yes	
Online upgrade	Yes	
Night SVG function	Optional	
Anti-PID function	Optional	
General data		
Dimensions (W×H×D)	2991×2591×2438mm	
Weight	4500kg	
IP grade	IP54	
Self-consumption at night	<160W	
Cooling type	Intelligent forced air cooling	
Altitude	5000m (>3000m derating)	
Operating temperature range	-35°C ~60°C	
Relative humidity	0~95%, no condensation	
Display	LCD	
Communication	RS485, Ethernet (optional)	

*Specifications are subject to change without prior notice.

1500V 集装箱式逆变器

SPI3125K-B-H/SPI3400K-B-H



产品特点

高效发电

- 采用全新三电平的拓扑技术，最高转换效率大于 99%
- 45 °C 1.1 倍长期过载，50 °C 满载运行

精益智能

- 智能故障录波功能，快速故障分析
- 智能远程在线升级功能，便于系统的升级与维护管理

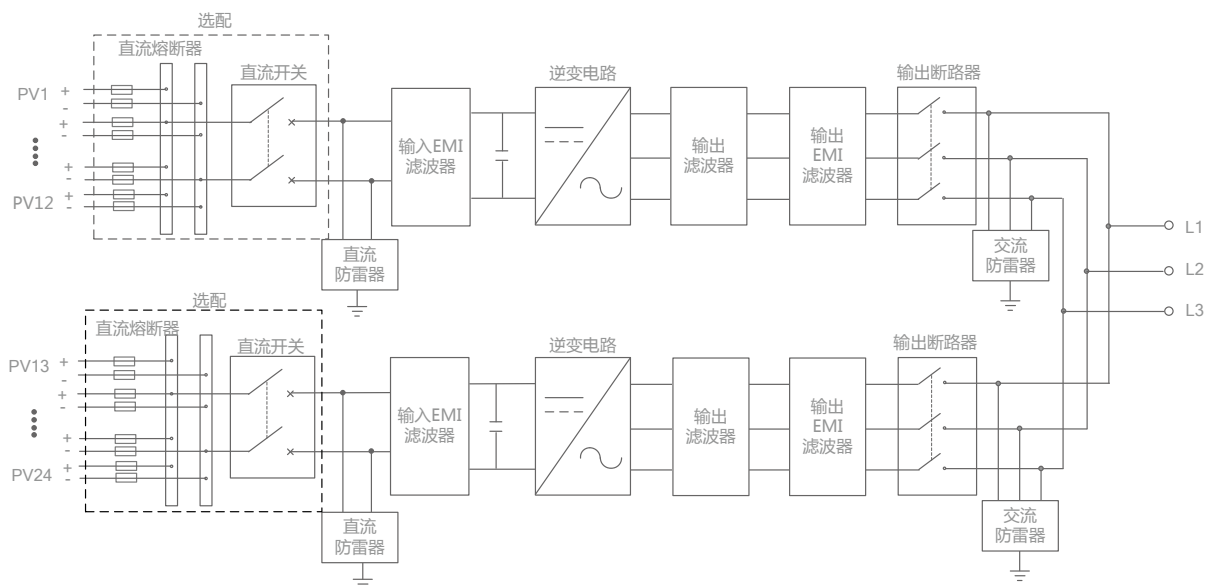
安全可靠

- 适应高海拔、高温、极寒等复杂环境
- 智能风机调速控制及故障检测，提高系统可靠性
- PID 修复功能，减少组件发电衰减

节约投资

- 直流 1500V，减少系统成本
- 支持交流侧并联，可接入双绕组变压器
- 模块化设计，节约运维成本

电路框图



技术指标

产品型号	SPI3125K-B-H	SPI3400K-B-H
直流侧输入		
最大光伏阵列开路电压	1500Vdc	
最大直流电流	2x1960A	2x1993A
输入路数	24~30 可选	
MPPT 数量	2	
MPPT 电压跟踪范围	900V~1300V	945V ~ 1300 V
启动电压	940Vdc	985 Vdc
MPPT 效率	99.90%	
交流侧输出		
额定输出功率	3125kW	3400kW
最大输出功率	3437kW at 45°C /3594kW at 25°C /3125kW at 50°C	3740kW at 45°C /3908kW at 25°C /3400kW at 50°C
最大输出电流	3458A	3458A
额定电网电压	600V	660V
额定电网频率	50Hz/60Hz	
电网频率范围	±5%	
功率因数	>0.99 (满功率)	
功率因数可调节范围	0.8 (超前) ~0.8 (滞后)	
THDi	<3% (额定功率)	
逆变器效率		
最大效率	99.00%	
欧洲效率	98.70%	
其他功能		
零 / 低电压穿越功能	具备	
交流侧并网技术	具备	
故障录波诊断功能	具备	
在线升级功能	具备	
SVG 功能	选配	
PID 修复功能	选配	
基本参数		
尺寸 (宽 × 高 × 深)	2991×2591×2438mm	
重量	4500kg	
防护等级	IP54	
夜间损耗	<160W	
冷却方式	智能风冷	
最高工作海拔	5000m (>3000m 降额)	
工作环境温度	-35°C ~60°C	
工作环境湿度	0~95%, 无冷凝	
显示	LCD	
通讯	RS485, Ethernet (可选)	

*规格指标若有变动, 恕不另行通知。

Containerized Central PV Inverter for 1500V System

SPI3125K-B-H/SPI3400K-B-H



Product Features

High performance

- 3-level technology, max. conversion efficiency up to 99.00%
- 1.1 times long-term overload at 45°C , full load operation at 50°C

Safety and reliability

- Anti-PID function to ensure power generation
- Intelligent fan speed control and fault detection for system reliability
- IP54 design, adapt to high temperature, salt, and extreme cold etc. environment

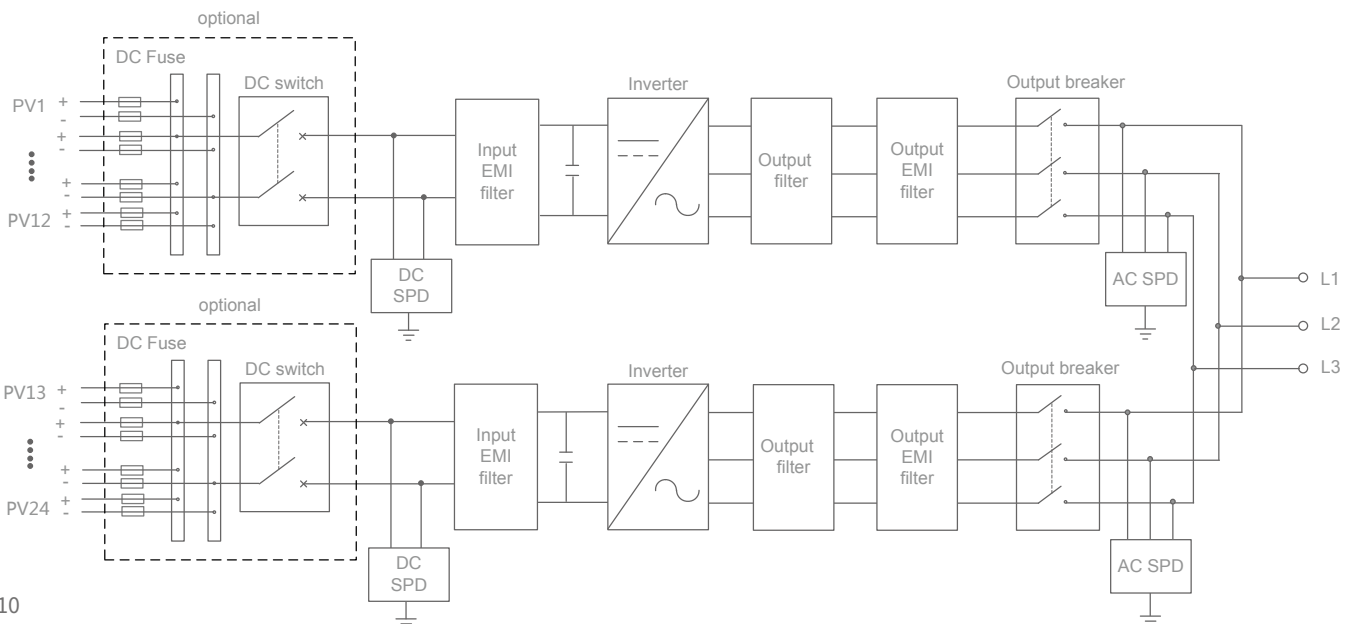
Advanced intelligence

- Intelligent fault recording function for fast analysis
- Intelligent online upgrade function for easy management

Saved investment

- DC 1500V system, low system cost
- Modular and compact product design
- AC side parallel technology for splitted two-winding Transformer

Function Diagram



Technical Specifications

Items	SPI3125K-B-H	SPI3400K-B-H
DC Input		
Max. PV input voltage	1500Vdc	
Max. PV input current	2x1960A	2x1993A
No. of PV input strings	24~30 optional	
No. of MPPTs	2	
MPPT voltage range	900V~1300V	945V ~ 1300 V
Starting voltage	940Vdc	985 Vdc
MPPT efficiency	99.90%	
AC Output		
Rated AC output power	3125kW	3400kW
Max. output power	3437kW at 45°C/3594kW at 25°C/3125kW at 50°C	3740kW at 45°C/3908kW at 25°C/3400kW at 50°C
Max. output current	3458A	3458A
Rated output voltage	600V	660V
Output voltage range	±10%	
Rated grid frequency	50Hz/60Hz	
Grid frequency range	±5%	
Power factor	>0.99 (rated power)	
PF adjustable range	0.8 leading ~0.8 lagging	
THDi	<3% (at rated power)	
Inverter efficiency		
Max. efficiency	99.00%	
European efficiency	98.70%	
Others		
LVRT function	Yes	
AC side parallel technology	Yes	
Fault wave record diagnosis	Yes	
Online upgrade	Yes	
Night SVG function	Optional	
Anti-PID function	Optional	
General data		
Dimensions (W×H×D)	2991×2591×2438mm	
Weight	4500kg	
IP grade	IP54	
Self-consumption at night	<160W	
Cooling type	Intelligent forced air cooling	
Altitude	5000m (>3000m derating)	
Operating temperature range	-35°C ~60°C	
Relative humidity	0~95%, no condensation	
Display	LCD	
Communication	RS485, Ethernet (optional)	

*Specifications are subject to change without prior notice.

1500V 逆变升压一体机

SPI2500K-TH/SPI3000K-TH



产品特点

高度集成 - 交钥匙解决方案

- 集成 1500V 高效集中式光伏逆变器
- 可选美变 / 欧变 10~35kV 升压系统
- 集成多功能箱变测控装置，一站式光伏厂区通讯解决方案

精益智能 - 全方位监控采集

- 集成多功能箱变测控装置，智慧运行管理
- 采集汇流箱、逆变器及变压器信息，快速精确定位故障
- 统一对外通讯接口，集成精益管理，快速部署与调试

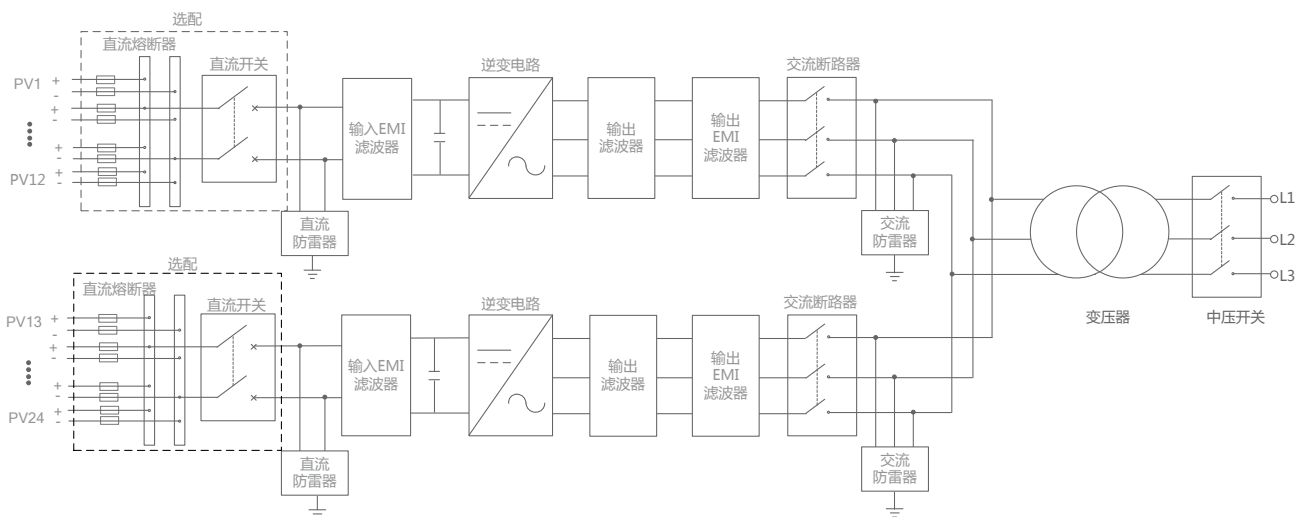
高效稳定 - 用户更放心

- 整机系统标准化生产，一致性好
- 统一售后维护，用户省心
- 优化逆变及升压单元，系统效率更高
- 45℃ 1.1 倍长期过载，50℃ 满载运行

降本增效 - 更低投资、更高收益

- 逆变器与变压器之间采用铜排连接方式，降低线损
- 优化低压配电、连接线缆、安装基础，综合降本 7-10%
- 交钥匙产品，缩短施工周期，减少施工成本

电路框图



技术指标

产品型号	SPI2500K-TH	SPI3000K-TH
直流侧输入		
最大光伏阵列开路电压	1500Vdc	
最大直流电流	2x1754A	2x1800A
输入路数	24~30 可选	
MPPT 数量	2	
MPPT 电压跟踪范围	800V~1300V	900V~1300V
启动电压	840Vdc	940Vdc
MPPT 效率	99.90%	
交流侧输出		
额定输出功率	2500kW	3000kW
最大输出功率	2750kW at 45°C / 2500kW at 50°C	3300kW at 45°C / 3000kW at 50°C
额定电网电压	10~35kV	
额定电网频率	50Hz/60Hz	
电网频率范围	±5%	
功率因数	>0.99 (满功率)	
功率因数可调节范围	0.8 (超前) ~0.8 (滞后)	
总电流波形畸变率 (THDi)	<3% (额定功率)	
逆变器效率		
最大效率	99.00%	
欧洲效率	98.70%	
其他功能		
零 / 低电压穿越功能	具备	
交流侧并网技术	具备	
故障录波诊断功能	具备	
在线升级功能	具备	
PID 修复功能	选配	
SVG 功能	选配	
箱变测控装置	具备	
基本参数		
尺寸 (宽 × 高 × 深)	6058 × 2896 × 2438mm	
重量	15T	
防护等级	IP54	
箱变布置形式	美式 / 欧式	
变压器冷却方式	ONAF/ANAF	
逆变器冷却方式	智能风冷	
最高工作海拔	2000m (标准) / >2000m (可选)	
工作环境温度	-35°C ~60°C	
工作环境湿度	0~95%, 无冷凝	
显示	LCD	
通讯	RS485、以太网、光纤环网	

*规格指标若有变动, 恕不另行通知。

Inverter & Transformer Turnkey Solution for 1500V System

SPI2500K-TH/SPI3000K-TH



Product Features

High performance

- 3-level technology, inverter max. conversion efficiency up to 99.00%
- Integrated with transformer, double winding or double split transformer is optional

Safety and reliability

- Modular and compact product design for consistency
- Intelligent fan control cooling, full load operation at 50° C

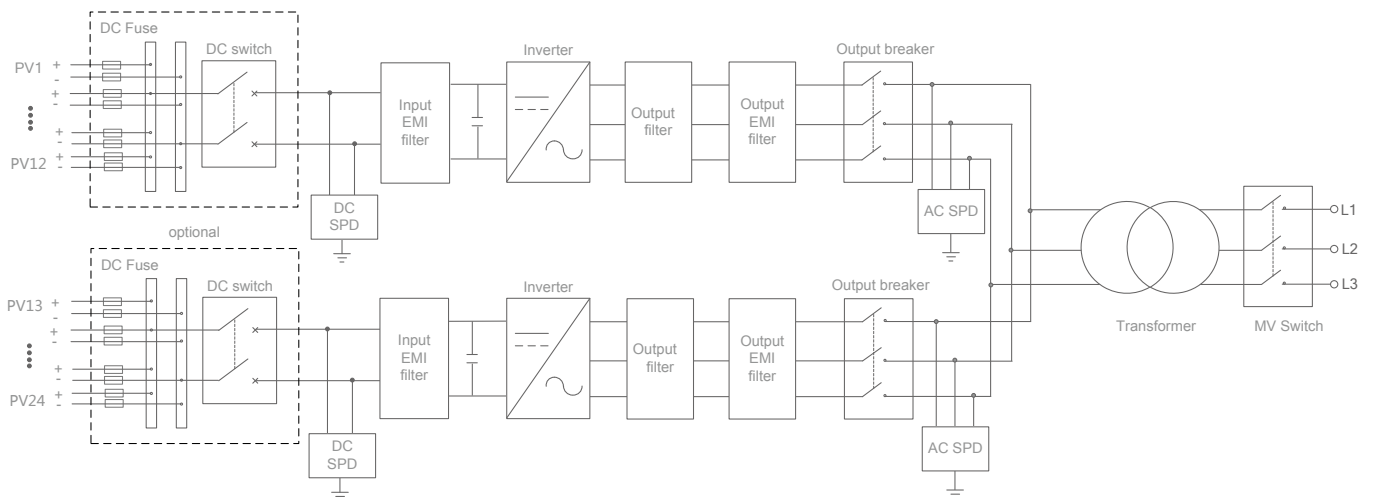
Advanced intelligence

- Integrated multifunction transformer measuring and controlling device for easy management
- Collecting monitoring information of combiner box, inverter and transformer for fast and accurate trouble shooting

Saved investment

- DC 1500V system design for low system initial investment
- Turnkey solution for fast and easy installation

Function Diagram



Technical Specifications

Items	SPI2500K-TH	SPI3000K-TH
DC Input		
Max. PV input voltage	1500Vdc	
Max. PV input current	2x1754A	2x1800A
No. of PV input strings	24~30 optional	
No. of MPPTs	2	
MPPT voltage range	800V~1300V	900V~1300V
Starting voltage	840Vdc	940Vdc
MPPT efficiency	99.90%	
AC Output		
Rated AC output power	2500kW	3000kW
Max. output power	2750kW at 45°C/ 2500kW at 50°C	3300kW at 45°C/ 3000kW at 50°C
AC voltage range	10~35kV	
Rated grid frequency	50Hz/60Hz	
Grid frequency range	±5%	
Power factor	>0.99 (rated power)	
PF adjustable range	0.8 leading ~0.8 lagging	
THDi	<3% (at rated power)	
Inverter efficiency		
Max. efficiency	99.00%	
European efficiency	98.70%	
General		
LVRT function	Yes	
AC side parallel technology	Yes	
Fault wave record diagnosis	Yes	
Online upgrade	Yes	
Anti-PID function	Optional	
Night SVG function	Optional	
Transformer measuring and controlling device	Yes	
Transformer data		
Transformer rated power	2500kVA	3000kVA
LV/MV voltage	0.55/10~35kV	0.6/10~35kV
Transformer vector	Dy11	
Transformer cooling type	ONAN (Oil Natural Air Natural)	
General data		
Dimensions (W×H×D)	6058×2896×2438mm	
Weight	15T	
IP grade	IP54	
Cooling type	Intelligent forced air cooling	
Altitude	2000m (standard)/ >2000m (Optional)	
Operating temperature range	-35°C~60°C	
Relative humidity	0~95%, no condensation	
Display	LCD	
Communication	RS485, Ethernet (optional)	

*Specifications are subject to change without prior notice.

1500V 逆变升压一体机

SPI3125K-TH/SPI3400K-TH



产品特点

高度集成 - 交钥匙解决方案

- 集成 1500V 平台高效集中式光伏逆变器
- 可选美变 / 欧变 10~35kV 升压系统
- 集成多功能箱变测控装置，一站式光伏厂区通讯解决方案

精益智能 - 全方位监控采集

- 集成多功能箱变测控装置，智慧运行管理
- 采集汇流箱、逆变器及变压器信息，快速精确定位故障
- 统一对外通讯接口，集成精益管理，快速部署与调试

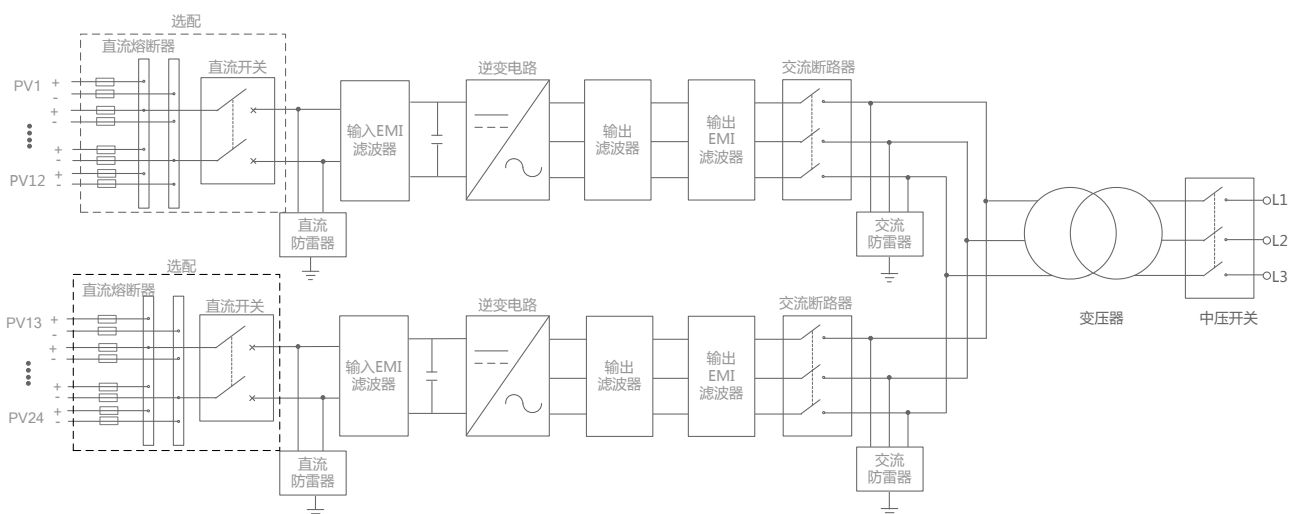
高效稳定 - 用户更放心

- 整机系统标准化生产，一致性好
- 统一售后维护，用户省心
- 优化逆变及升压单元，系统效率更高
- 45°C 1.1 倍长期过载，50°C满载运行

降本增效 - 更低投资、更高收益

- 逆变器与变压器之间采用铜排连接方式，降低线损
- 优化低压配电、连接线缆、安装基础，综合降本 7-10%
- 交钥匙产品，缩短施工周期，减少施工成本

电路框图



技术指标

产品型号	SPI3125K-TH	SPI3400K-TH
直流侧输入		
最大光伏阵列开路电压	1500Vdc	
最大直流电流	2x1960A	2x1993A
输入路数	24~30 可选	
MPPT 数量	2	
MPPT 电压跟踪范围	900V~1300V	945V ~ 1300 V
启动电压	940Vdc	985Vdc
MPPT 效率	99.90%	
交流侧输出		
额定输出功率	3125kW	3400kW
最大输出功率	3437kW at 45°C /3594kW at 25°C /3125kW at 50°C	3740kW at 45°C /3908kW at 25°C /3400kW at 50°C
额定电网电压	10~35kV	
额定电网频率	50Hz/60Hz	
电网频率范围	±5%	
功率因数	>0.99 (满功率)	
功率因数可调节范围	0.8 (超前) ~0.8 (滞后)	
总电流波形畸变率 (THDi)	<3% (额定功率)	
逆变器效率		
最大效率	99.00%	
欧洲效率	98.70%	
其他功能		
零 / 低电压穿越功能	具备	
交流侧并网技术	具备	
故障录波诊断功能	具备	
在线升级功能	具备	
PID 修复功能	选配	
SVG 功能	选配	
箱变测控装置	具备	
基本参数		
尺寸 (宽 × 高 × 深)	6058×2896×2438mm	
重量	15T	
防护等级	IP54	
箱变布置形式	美式 / 欧式	
变压器冷却方式	ONAN/ANAF	
逆变器冷却方式	智能风冷	
最高工作海拔	2000m (标准) />2000m (可选)	
工作环境温度	-35°C ~60°C	
工作环境湿度	0~95%, 无冷凝	
显示	LCD	
通讯	RS485、以太网、光纤环网	

*规格指标若有变动, 恕不另行通知。

Inverter & Transformer Turnkey Solution for 1500V System

SPI3125K-TH/SPI3250K-TH

Product Features

High performance

- 3-level technology, inverter max. conversion efficiency up to 99.00%
- Integrated with transformer, double winding or double split transformer is optional

Safety and reliability

- Modular and compact product design for consistency
- Intelligent fan control cooling, full load operation at 50°C

Advanced intelligence

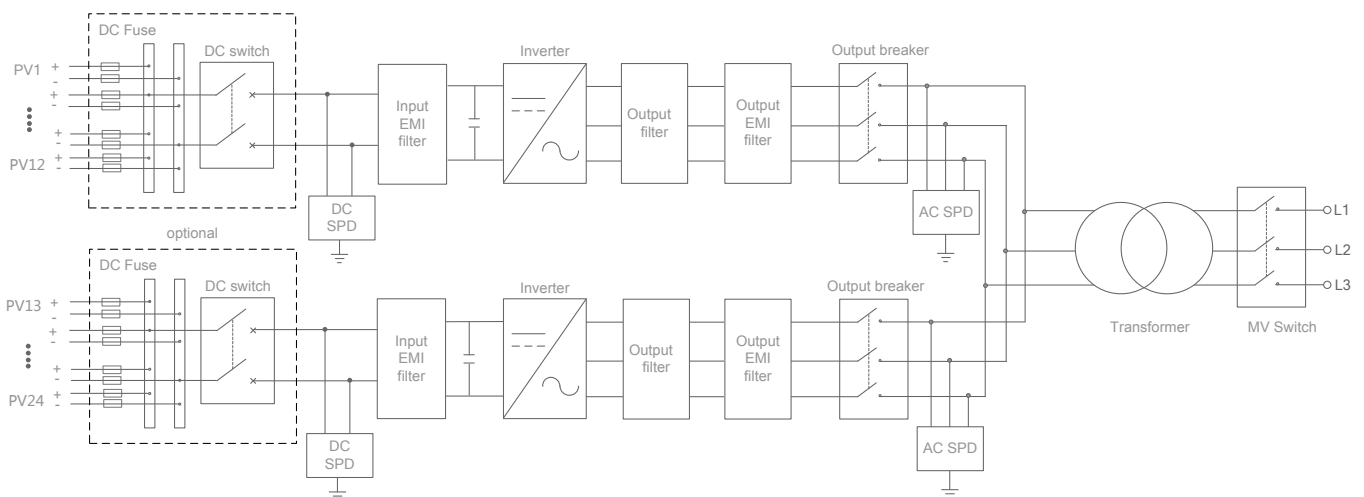
- Integrated multifunction transformer measuring and controlling device for easy management
- Collecting monitoring information of combiner box, inverter and transformer for fast and accurate trouble shooting

Saved investment

- DC 1500V system design for low system initial investment
- Turnkey solution for fast and easy installation



Function Diagram



Technical Specifications

Items	SPI3125K-TH	SPI3400K-TH
DC Input		
Max. PV input voltage	1500Vdc	
Max. PV input current	2x1960A	2x1993A
No. of PV input strings	24~30 optional	
No. of MPPTs	2	
MPPT voltage range	900V~1300V	945V ~ 1300 V
Starting voltage	940Vdc	985Vdc
MPPT efficiency	99.90%	
AC Output		
Rated AC output power	3125kW	3400kW
Max. output power	3437kW at 45°C/3594kW at 25°C/3125kW at 50°C	3740kW at 45°C/3908kW at 25°C/3400kW at 50°C
AC voltage range	10~35kV	
Rated grid frequency	50Hz/60Hz	
Grid frequency range	±5%	
Power factor	>0.99 (rated power)	
PF adjustable range	0.8 leading ~0.8 lagging	
THDi	<3% (at rated power)	
Inverter efficiency		
Max. efficiency	99.00%	
European efficiency	98.70%	
General		
LVRT function	Yes	
AC side parallel technology	Yes	
Fault wave record diagnosis	Yes	
Online upgrade	Yes	
Anti-PID function	Optional	
Night SVG function	Optional	
Transformer measuring and controlling device	Yes	
Transformer data		
Transformer rated power	3125kVA	3400kVA
LV/MV voltage	0.55/10~35kV	0.66/10~35kV
Transformer vector	Dy11	
Transformer cooling type	ONAN (Oil Natural Air Natural)	
General data		
Dimensions (W×H×D)	6058×2896×2438mm	
Weight	15T	
IP grade	IP54	
Cooling type	Intelligent forced air cooling	
Altitude	2000m (standard)/ >2000m (Optional)	
Operating temperature range	-35°C ~60°C	
Relative humidity	0~95%, no condensation	
Display	LCD	
Communication	RS485, Ethernet (optional)	

*Specifications are subject to change without prior notice.

1500V 逆变升压一体机

SPI5000K-TH/SPI6250K-TH/SPI6800K-TH



产品特点

高度集成 - 交钥匙解决方案

- 集成 1500V 平台高效集中式光伏逆变器
- 可选美变 / 欧变 20~35kV 升压系统
- 集成多功能箱变测控装置，一站式光伏厂区通讯解决方案

精益智能 - 全方位监控采集

- 集成多功能箱变测控装置，智慧运行管理
- 采集汇流箱、逆变器及变压器信息，快速精确定位故障
- 统一对外通讯接口，集成精益管理，快速部署与调试

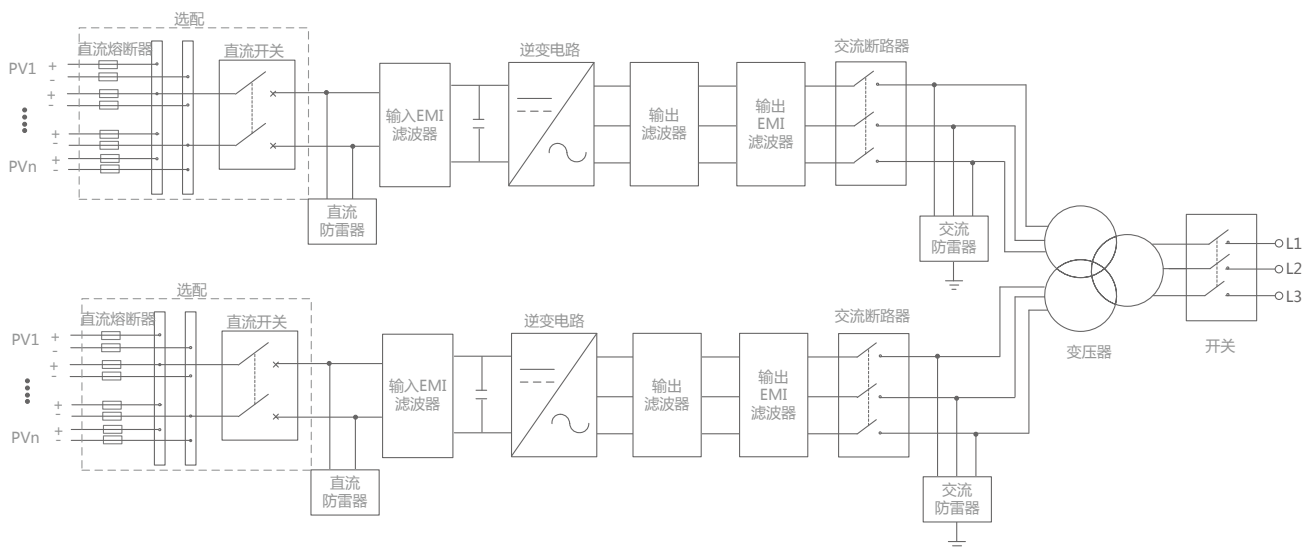
高效稳定 - 用户更放心

- 整机系统标准化生产，一致性好
- 统一售后维护，用户省心
- 优化逆变及升压单元，系统效率更高
- 45°C 1.1 倍长期过载，50°C满载运行

降本增效 - 更低投资、更高收益

- 逆变器与变压器之间采用铜排连接方式，降低线损
- 优化低压配电、连接线缆、安装基础，综合降本 7-10%
- 交钥匙产品，缩短施工周期，减少施工成本

电路框图



技术指标

产品型号	SPI5000K-TH	SPI6250K-TH	SPI6800K-TH
直流侧输入			
最大光伏阵列开路电压	1500Vdc		
最大直流电流	4x1754A	4x1960A	4x1993A
输入路数	48, >48 可选		
MPPT 数量	4		
MPPT 电压跟踪范围	800V~1300V	900V~1300V	945 ~ 1300V
启动电压	840Vdc	940Vdc	985Vdc
MPPT 效率	99.90%		
交流侧输出			
额定输出功率	5000kW	6250kW	6800kW
最大输出功率	5500kW at 45°C /5000kW at 50°C	6875kW at 45°C /7188kW at 25°C	7480kW at 45°C /7816kW at 25°C
额定电网电压	20~35kV		
额定电网频率	50Hz/60Hz		
电网频率范围	±5%		
功率因数	>0.99 (满功率)		
功率因数可调节范围	0.8 (超前) ~0.8 (滞后)		
总电流波形畸变率 (THDi)	<3% (额定功率)		
逆变器效率			
最大效率	99.00%		
欧洲效率	98.70%		
其他功能			
零 / 低电压穿越功能	具备		
交流侧并网技术	具备		
故障录波诊断功能	具备		
在线升级功能	具备		
PID 修复功能	选配		
SVG 功能	选配		
箱变测控装置	具备		
基本参数			
尺寸 (宽 × 高 × 深)	12088 × 2896 × 2438mm		
重量	30T		
防护等级	IP54		
箱变布置形式	美式 / 欧式		
变压器冷却方式	ONAN/ANAF		
逆变器冷却方式	智能风冷		
最高工作海拔	2000m (标准) / >2000m (可选)		
工作环境温度	-35°C ~60°C		
工作环境湿度	0~95%, 无冷凝		
显示	LCD		
通讯	RS485、以太网、光纤环网		

*规格指标若有变动, 恕不另行通知。

Inverter & Transformer Turnkey Solution for 1500V System

SPI5000K-TH/SPI6250K-TH/SPI6800K-TH



Product Features

High performance

- 3-level technology, inverter max. conversion efficiency up to 99.00%
- Integrated with transformer, double winding or double split transformer is optional

Safety and reliability

- Modular and compact product design for consistency
- Intelligent fan control cooling, full load operation at 50° C

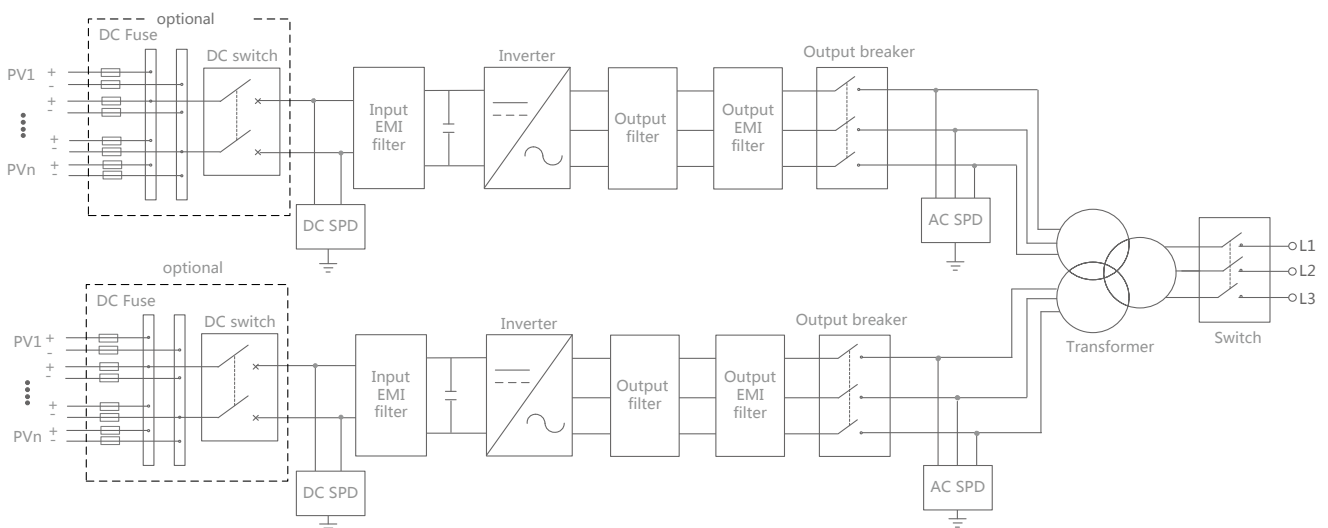
Advanced intelligence

- Integrated multifunction transformer measuring and controlling device for easy management
- Collecting monitoring information of combiner box, inverter and transformer for fast and accurate trouble shooting

Saved investment

- DC 1500V system design for low system initial investment
- Turnkey solution for fast and easy installation

Function Diagram



Technical Specifications

Items	SPI5000K-TH	SPI6250K-TH	SPI6800K-TH
DC Input			
Max. PV input voltage	1500Vdc		
Max. PV input current	4x1754A	4x1960A	4x1993A
No. of PV input strings	48, >48 optional		
No. of MPPTs	4		
MPPT voltage range	800V~1300V	900V~1300V	945 ~ 1300V
Starting voltage	840Vdc	940Vdc	985Vdc
MPPT efficiency	99.90%		
AC Output			
Rated AC output power	5000kW	6250kW	6800kW
Max. output power	5500kW at 45°C/5000kW at 50°C	6875kW at 45°C/7188kW at 25°C	7480kW at 45°C/7816kW at 25°C
AC voltage range	20~35kV		
Rated grid frequency	50Hz/60Hz		
Grid frequency range	±5%		
Power factor	>0.99 (rated power)		
PF adjustable range	0.8 leading ~0.8 lagging		
THDi	<3% (at rated power)		
Inverter efficiency			
Max. efficiency	99.00%		
European efficiency	98.70%		
General			
LVRT function	Yes		
AC side parallel technology	Yes		
Fault wave record diagnosis	Yes		
Online upgrade	Yes		
Anti-PID function	Optional		
Night SVG function	Optional		
Transformer measuring and controlling device	Yes		
Transformer data			
Transformer rated power	5000kVA	6250kVA	6800kVA
LV/MV voltage	0.55/20~35kV	0.6/20~35kV	0.66/20~35kV
Transformer vector	Dy11y11		
Transformer cooling type	ONAN (Oil Natural Air Natural)		
General data			
Dimensions (W×H×D)	12088×2896×2438mm		
Weight	30T		
IP grade	IP54		
Cooling	Intelligent forced air cooling		
Max. operating altitude	2000m (standard)/ >2000m (Optional)		
Operating temperature range	-35°C ~60°C		
Relative humidity	0~95%, no condensation		
Display	LCD		
Communication	RS485, Ethernet (optional)		

*Specifications are subject to change without prior notice.

科华恒盛股份有限公司

地址:中国福建省厦门火炬高新区火炬园马垄路457号

邮编:361006

电话:0592-5160516

传真:0592-5162166

400-808-9986

www.kehua.com.cn

Kehua Hengsheng Co., Ltd.

Add: No. 457, Malong Road, Torch High-Tech Industrial Zone, Xiamen Fujian 361006 China

Tel: +86-592-5160516

Fax: +86-592-5162166

Email: Intertrade@kehua.com

www.kehua.com

版本号 (Version No.) :20190613

